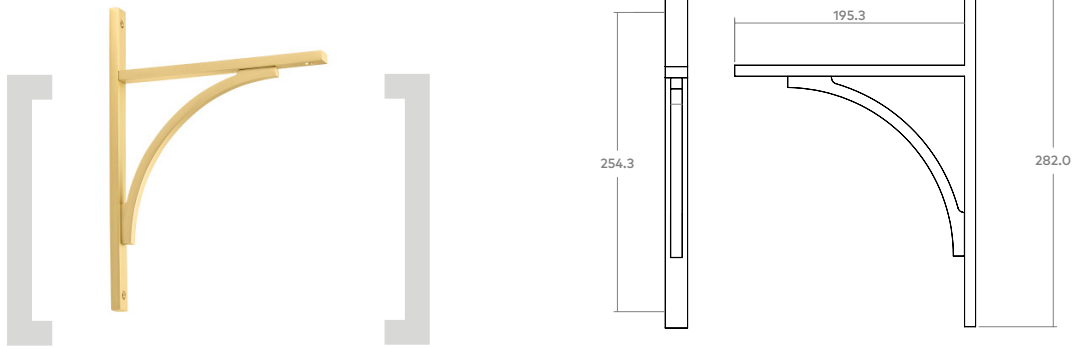




HENDEL & HENDEL

York Collection

With its intricate curve and clean lines, the design works with both solid surface and wood shelves using the included fixing pack. Finishes match Ark, Felix, Fleur & Greenwich.
Made from Brass. Includes matching fixings.
30kg load capacity per bracket.



CODE	TYPE	FINISHES	DIAMETER	PROJECTION	HOLE CENTRES	HEIGHT	SHELF SUPPORT
GYOSB245	Shelf Bracket	BB, BN, BSB, CP, MBL, ORB, PN	-	204mm	255mm	282mm	195mm



www.hendelandhendel.co.uk



HENDEL & HENDEL

York Collection

Using a qualified fitter for installation of solid surface or wooden shelves is recommended.

Equipment Required

As well as your chosen shelf, you will need:

- Drill
- Tape
- Pencil
- Spirit level
- Screwdriver
- Wall/stud power & pipe detector

Step 1 – Safety

Ensure the absence of electrical cables or water pipes in the chosen shelf location using the power & pipe detector. Using a tape measure and spirit level, mark both the top and bottom positions of the shelf bracket with a pencil.

Step 2 – Positioning

Using the spirit level and a pencil, draw a perfectly horizontal line along the intended wall area. Extend the line to the full length of the shelf, either with the measure on the spirit level or by using a tape measure for accuracy.

Choose the positions for the shelf brackets along the horizontal line. Align the top of each Shelf Bracket with the horizontal line, keeping the shelf bracket steady. Use a pencil to mark the screw holes on the wall.

Step 3 – Preparing For The Shelf Brackets

Drill into the centre of the marked screw holes, ensuring they fit the provided wall plugs suitably. It is important the wall plugs are sit flush on the wall to ensure the shelf bracket sits flush.

Step 4 – Securing The Shelf Brackets

Using a screwdriver, fasten the Shelf Brackets to the wall using the included longest screws. Ensure the screws are secure and firm within the wall plugs before proceeding to step 5.

Step 5 – Fixing The Shelf

Placing the shelf at the desired position, use the spirit level to ensure accuracy. Shorter screws are provided for fixing the bracket to the shelf where the material chosen suits this, and dummy fixings are provided for use with shelf materials not suited to drilling.

Step 6 – Styling & Maintenance

We recommend starting with larger objects such as art pieces or chopping boards, which provide the perfect backdrop for smaller items such as vases, ornaments, mugs, glasses or books.

Each bracket is hand finished and the right maintenance is important. We do not recommend the use of any liquids, just wipe down with a clean, dry cloth.

DISCLAIMER - Secure fixing of the York shelf bracket is at user's risk.

Formed Group Ltd/Hendel & Hendel do not accept responsibility for any damages or accidents.



www.hendelandhendel.co.uk